

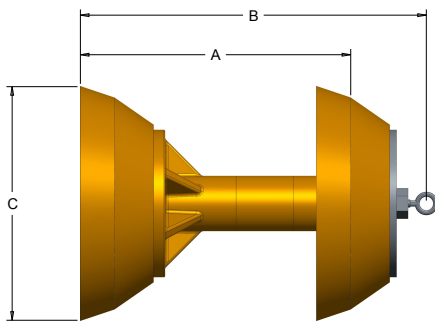
Super Mandrel CRB2CC / CRB3CC / CRB5CC

Description

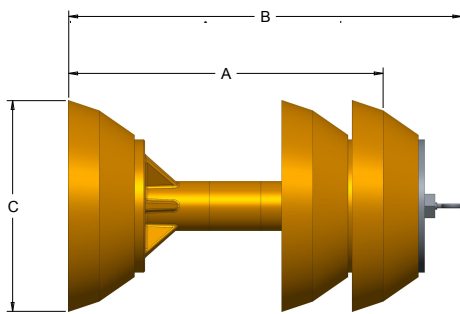
The SM-CRB2CC configuration is suitable for batching, displacement, sweeping, hydrostatic testing, and paraffin removal. All components can be easily rearranged to fit the customer's specific needs. Brushes, Magnet Wraps, Transmitters, and Gauging Plates may be mounted if required. Configurations can be customized for diameters, lengths, and applications as needed for any job.

Options

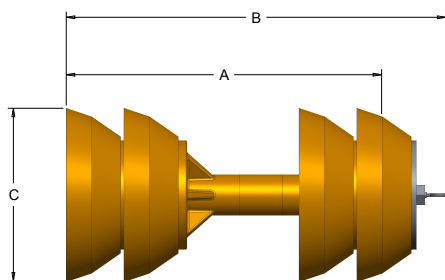
- Sizes 6" to 42"
- Custom Configurations for any job requirements
- Brush assemblies (circular)- Carbon Steel, Stainless Steel, Prostran
- Magnet Mounts
- Transmitter Compatible



SUPER MANDREL CRB-2CC				
PIPE SIZE	A INCHES	B INCHES	C INCHES	WEIGHT
4"	5.687"	8.549"	4.3125"	8lbs
6"	8.687"	12.749"	6.500"	16lbs
8"	11.00"	15.312"	8.625"	24lbs
10"	15.842"	20.624"	10.75"	47lbs
12"	14.750"	19.937"	12.75"	76lbs
14"	15.750"	20.937"	14.00"	89lbs



SUPER MANDREL CRB-3CC				
PIPE SIZE	A INCHES	B INCHES	C INCHES	WEIGHT
4"	8.312"	11.611"	4.3125"	8lbs
6"	11.312"	15.811"	6.500"	16lbs
8"	15.125"	19.437"	8.625"	24lbs
10"	16.342"	21.124"	10.75"	47lbs
12"	19.00"	24.187"	12.75"	76lbs
14"	20.00"	25.187"	14.00"	89lbs



SUPER MANDREL CRB-4CC				
PIPE SIZE	A INCHES	B INCHES	C INCHES	WEIGHT
4"	10.937"	14.236"	4.3125"	8lbs
6"	13.937"	18.436"	6.500"	16lbs
8"	19.250"	23.562"	8.625"	24lbs
10"	21.842"	26.624"	10.75"	47lbs
12"	23.250"	28.00"	12.75"	76lbs
14"	24.250"	29.00"	14.00"	89lbs