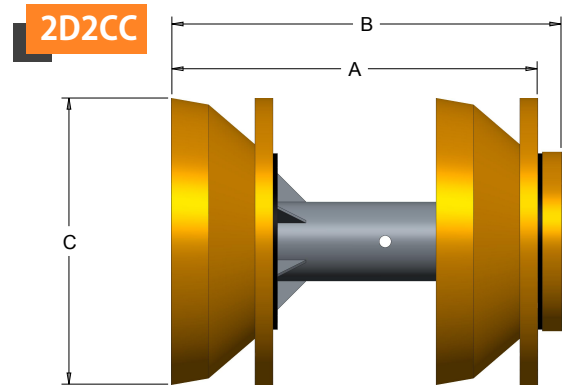


# Super Mandrel 2D2CC / 3D2CC / 5D2CC / 2D2CCBR 6" – 42"

## Description

The SM-2D2CC configuration is suitable for batching, displacement, sweeping, hydrostatic testing, and paraffin removal. All components can be easily rearranged to fit the customer's specific needs. Brushes, Magnet Wraps, Transmitters, and Gauging Plates may be mounted if required. Configurations can be customized for diameters, lengths, and applications as needed for any job.



## Options

- Sizes 6" to 42"
- Custom Configurations for any job requirements
- Brush assemblies (circular, paddle)- Carbon Steel, Stainless Steel, Prostran
- Magnet Mounts
- Transmitter Compatible

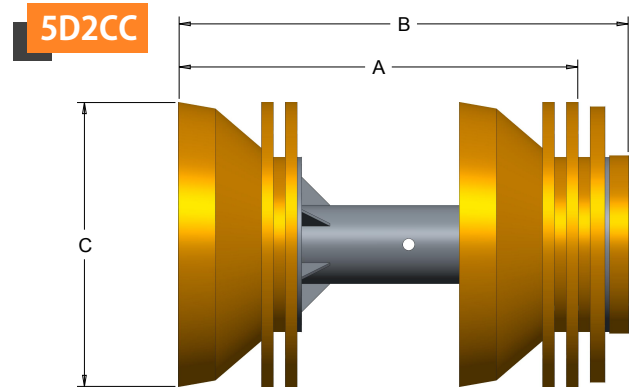
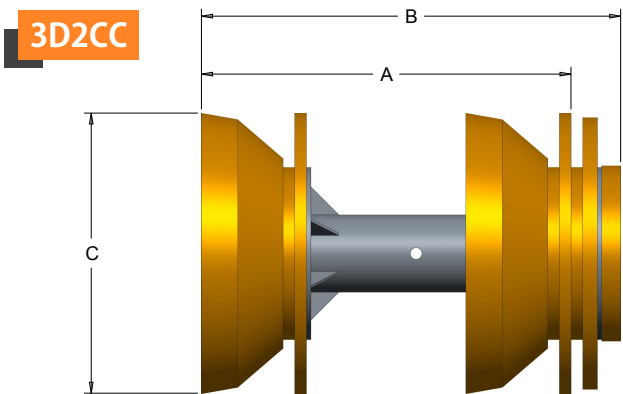
**SUPER MANDREL SM-DCDC**

| PIPE SIZE" | A INCHES | B INCHES | C INCHES | WEIGHT |
|------------|----------|----------|----------|--------|
| 6"         | 8.250"   | 12.125"  | 6.500"   | 13LBS  |
| 8"         | 10.125"  | 14.25"   | 8.625"   | 18LBS  |
| 10"        | 14.6875" | 18.4375" | 10.75"   | 21lbs  |
| 12"        | 18.5625" | 22.3125" | 12.75"   | 28lbs  |
| 14"        | 19.250"  | 23.00"   | 14.00"   | 32lbs  |
| 16"        | 23.3125" | 24.6875" | 16.00"   | 61lbs  |
| 18"        | 27.750"  | 28.500"  | 18.00"   | 87lbs  |
| 20"        | 29.00"   | 29.750"  | 20.00"   | 103lbs |
| 22"        | 33.6250" | 34.500"  | 22.00"   | 171lbs |
| 24"        | 34.8750" | 35.750"  | 24.00"   | 189lbs |
| 26"        | 39.3750" | 40.250"  | 26.00"   | 231lbs |
| 28"        | 40.6250" | 41.500"  | 28.00"   | 251lbs |
| 30"        | 45.750"  | 46.750"  | 30.00"   | 341lbs |
| 32"        | 47.00"   | 48.00"   | 32.00"   | 379lbs |
| 34"        | 53.3750" | 54.6250" | 34.00"   | 500lbs |
| 36"        | 54.750"  | 56.00"   | 36.00"   | 545lbs |
| 42"        | 62.500"  | 64.00"   | 42.00"   | 900lbs |

# Super Mandrel

## 2D2CC / 3D2CC / 5D2CC / 2D2CCBR

### 6" – 42"



| SUPER MANDREL SM-3D2CC |          |          |          |        |
|------------------------|----------|----------|----------|--------|
| PIPE SIZE              | A INCHES | B INCHES | C INCHES | WEIGHT |
| 6"                     | 10.125"  | 7.5"     | 6.500"   | 11LBS  |
| 8"                     | 14.125"  | 10.25"   | 8.625"   | 18LBS  |
| 10"                    | 15.1875" | 18.4375" | 10.75"   | 23lbs  |
| 12"                    | 19.4375" | 22.8125" | 12.75"   | 32lbs  |
| 14"                    | 20.250"  | 23.500"  | 14.00"   | 35lbs  |
| 16"                    | 25.4375" | 26.4375" | 16.00"   | 64lbs  |
| 18"                    | 29.500"  | 30.500"  | 18.00"   | 91lbs  |
| 20"                    | 31.250"  | 32.250"  | 20.00"   | 108lbs |
| 22"                    | 35.3125" | 36.3125" | 22.00"   | 174lbs |
| 24"                    | 37.0625" | 38.3125" | 24.00"   | 190lbs |
| 26"                    | 41.5625" | 42.8125" | 26.00"   | 236lbs |
| 28"                    | 43.5625" | 44.8125" | 28.00"   | 266lbs |
| 30"                    | 48.3750" | 49.6250" | 30.00"   | 353lbs |
| 32"                    | 50.00"   | 51.250"  | 32.00"   | 394lbs |
| 34"                    | 56.250"  | 57.250"  | 34.00"   | 511lbs |
| 36"                    | 58.1250" | 59.3750" | 36.00"   | 561lbs |
| 42"                    | 66.250"  | 67.500"  | 42.00"   | 931lbs |

| SUPER MANDREL SM-5D2CC |          |          |          |         |
|------------------------|----------|----------|----------|---------|
| PIPE SIZE              | A INCHES | B INCHES | C INCHES | WEIGHT  |
| 6"                     | 12.25"   | 9.25"    | 6.500"   | 12LBS   |
| 8"                     | 16.125"  | 12.125"  | 8.625"   | 20LBS   |
| 10"                    | 16.8125" | 20.8125" | 10.75"   | 26lbs   |
| 12"                    | 21.4375" | 24.8125" | 12.75"   | 38lbs   |
| 14"                    | 22.1250" | 25.500"  | 14.00"   | 42lbs   |
| 16"                    | 28.6875" | 29.6875" | 16.00"   | 69lbs   |
| 18"                    | 33.250"  | 34.250"  | 18.00"   | 106lbs  |
| 20"                    | 35.1250" | 36.1250" | 20.00"   | 124lbs  |
| 22"                    | 39.3125" | 40.5625" | 22.00"   | 189lbs  |
| 24"                    | 41.3125" | 42.5625" | 24.00"   | 228lbs  |
| 26"                    | 45.8125" | 47.0625" | 26.00"   | 254lbs  |
| 28"                    | 48.3125" | 49.5625" | 28.00"   | 325lbs  |
| 30"                    | 53.3750" | 54.6250" | 30.00"   | 417lbs  |
| 32"                    | 55.250"  | 56.500"  | 32.00"   | 473lbs  |
| 34"                    | 62.00"   | 63.250"  | 34.00"   | 565lbs  |
| 36"                    | 64.1250" | 65.3750" | 36.00"   | 670lbs  |
| 42"                    | 73.250"  | 74.500"  | 42.00"   | 1083lbs |