

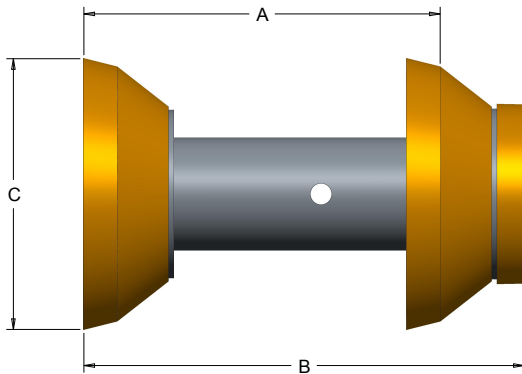
Super Mandrel

2CC-SM / 4CC-SM

3" - 42"

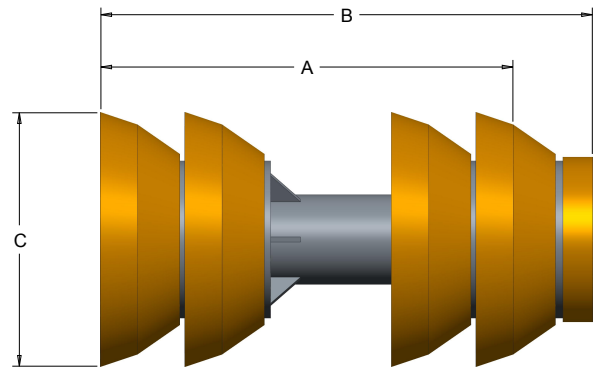
Description

The SM-2cc configuration is suitable for batching, displacement, sweeping, hydrostatic testing, and paraffin removal. All components can be easily rearranged to fit the customer's specific needs. Brushes, Magnet Wraps, Transmitters, and Gauging Plates may be mounted if required. Configurations can be customized for diameters, lengths, and applications as needed for any job.



Options

- Sizes 3" to 42"
- Custom Configurations for any job requirements
- Brush assemblies (circular, paddle)- Carbon Steel, Stainless Steel, Prostran
- Magnet Mounts
- Transmitter Compatible



SUPER MANDREL SM-2CC

PIPE SIZE"	A INCHES	B INCHES	C INCHES	WEIGHT
3"	5.875"	7.125"	3.125"	6LBS
4"	8.125"	10.250"	4.3125"	9LBS
6"	10.750"	14.250"	6.500"	13LBS
8"	13.250"	17.500"	8.625"	16LBS
10"	14.5625"	19.6875"	10.75"	20lbs
12"	14.4375"	20.5625"	12.75"	24lbs
14"	14.500"	21.250"	14.00"	26lbs
16"	20.500"	23.5625"	16.00"	42lbs
18"	24.250"	27.375"	18.00"	68lbs
20"	24.500"	28.625"	20.00"	77lbs
22"	29.250"	32.625"	22.00"	124lbs
24"	29.500"	33.875"	24.00"	139lbs
26"	34.00"	38.4375"	26.00"	166lbs
28"	34.250"	39.6875"	28.00"	177lbs
30"	39.750"	44.500"	30.00"	264lbs
36"	46.500"	52.875"	36.00"	402lbs
42"	53.00"	60.125"	42.00"	665lbs

SUPER MANDREL SM-4CC

PIPE SIZE"	A INCHES	B INCHES	C INCHES	WEIGHT
3"	5.750"	7.125"	3.125"	4lbs
4"	6.750"	10.125"	4.3125"	8LBS
6"	9.500"	13.250"	6.500"	16LBS
8"	12.750"	17.125"	8.625"	20LBS
10"	16.6875"	21.0625"	10.75"	26lbs
12"	20.5625"	26.6875"	12.75"	35lbs
14"	20.625"	27.375"	14.00"	38lbs
16"	27.00"	29.0625"	16.00"	75lbs
18"	31.750"	33.875"	18.00"	126lbs
20"	32.00"	35.125"	20.00"	129lbs
22"	38.500"	41.1875"	22.00"	228lbs
24"	38.00"	42.4375"	24.00"	241lbs
26"	44.250"	47.9375"	26.00"	290lbs
28"	44.500"	49.1875"	28.00"	313lbs
30"	51.250"	55.375"	30.00"	427lbs
36"	59.500"	65.500"	36.00"	659lbs
42"	68.00"	74.750"	42.00"	1088lbs