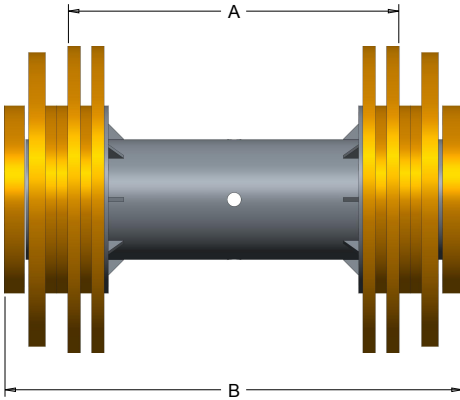


Super Mandrel BD6 / BD6BR

4" – 48"

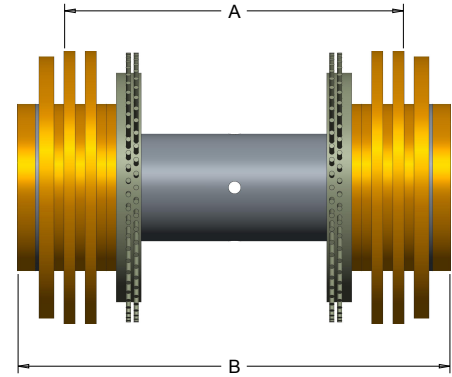
Description

The SM-BD6 configuration is suitable for batching, displacement, sweeping, hydrostatic testing, and paraffin removal. All components can be easily rearranged to fit the customer's specific needs. Brushes, Magnet Wraps, Transmitters, and Gauging Plates may be mounted if required. Configurations can be customized for diameters, lengths, and applications as needed for any job.



Options

- Sizes 4" to 48"
- Custom Configurations for any job requirements
- Brush assemblies (circular, spring arm)- Carbon Steel, Stainless Steel, Protran
- Magnet Mounts
- Transmitter Compatible



SUPER MANDREL SM-BD6

PIPE SIZE	A INCHES	B INCHES	C INCHES	WEIGHT
4"	5.250"	7.1250"	4.3125"	9LBS
6"	6.00"	9.250"	6.500"	16LBS
8"	9.500"	12.750"	8.625"	24LBS
10"	10.500"	14.500"	10.75"	47LBS
12"	13.00"	17.500"	12.75"	76LBS
14"	15.250"	19.750"	14.00"	89LBS
16"	18.500"	23.750"	16.00"	132LBS
18"	18.750"	24.00"	18.00"	175LBS
20"	21.00"	27.500"	20.00"	183LBS
22"	23.00"	29.500"	22.00"	261LBS
24"	26.00"	32.500"	24.00"	330LBS
26"	28.500"	33.00"	26.00"	380LBS
28"	29.00"	37.00"	28.00"	440LBS
30"	30.750"	39.00"	30.00"	640LBS
36"	39.500"	48.00"	36.00"	955LBS
40"	43.00"	52.00"	40.00"	1154LBS
42"	45.500"	55.00"	42.00"	1258LBS
48"	53.250"	64.00"	48.00"	N/A

SUPER MANDREL SM-BD6BR

PIPE SIZE	A INCHES	B INCHES	C INCHES	WEIGHT
4"	5.625"	7.500"	4.3125"	9LBS
6"	6.3750"	9.625"	6.500"	16LBS
8"	9.875"	13.125"	8.625"	28LBS
10"	10.875"	14.875"	10.75"	53LBS
12"	13.375"	17.875"	12.75"	85LBS
14"	15.625"	19.750"	14.00"	99LBS
16"	18.750"	24.125"	16.00"	144LBS
18"	19.125"	24.375"	18.00"	195LBS
20"	21.375"	27.875"	20.00"	205LBS
22"	23.375"	29.875"	22.00"	288LBS
24"	26.375"	32.875"	24.00"	364LBS
26"	28.875"	33.375"	26.00"	417LBS
28"	29.375"	37.375"	28.00"	481LBS
30"	31.125"	39.375"	30.00"	688LBS
36"	39.875"	48.375"	36.00"	1020LBS
40"	43.375"	52.375"	40.00"	1244LBS
42"	45.875"	55.375"	42.00"	1378LBS
48"	53.625"	64.375"	48.00"	N/A